



WESTBO OF SWEDEN

Westbo Carl



Instruction Manual

Safety precautions

- Do not install the electric fireplace directly on a carpet or other similar surface that may hinder the air circulation under it.
- After the electric fireplace is turned on and heated, the hot air outlet is at a high temperature. Do not place bedding, clothing, curtains, paper, etc. within 30 cm from the front of the electric fireplace and within 10 cm from the sides and back.
- When turning off the electric fireplace and disconnecting the power, first turn off the electric fireplace with the remote control, and then unplug the power cord.
- Do not place the electric fireplace in a humid environment, such as a laundry room, bathroom, etc.
- When installing an electric fireplace, do not lay cables under carpets or flammables.
- When using an electric fireplace near a patient or child, pay attention to safety and take extra care.
- You must use a well-grounded and fused socket.
- When the electric fireplace is in a heated state and objects are covered or covered at the air inlet, the heating components may be overheated. At this time, the product overheat protection function will automatically cut off the input power. After 8 minutes cooling down it is possible to restart the unit
- When using the cooking plate, the diameter of the bottom of the pot should not exceed 13cm.
- The electric ceramic cooking plate on the top cannot automatically turn off the power. Please do not leave it on without attention to avoid boiling water overflowing and long-term dry burning to cause potential hidden danger.

Product overview

1. Technical data

- Namewestbo carl electric
- Weight50kg
- Rated VoltageAC 230+/-10V
- Modelcarl electric
- DimensionL40 cm ,W45 cm ,H95cm
- Rated Power1850W

2.Product features

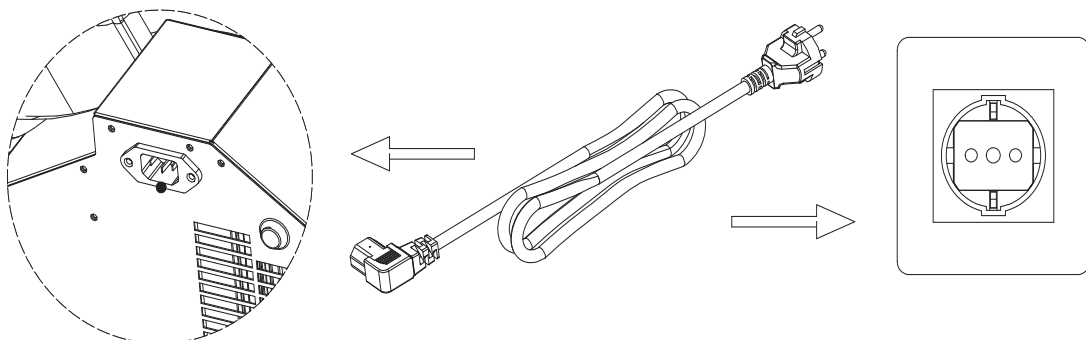
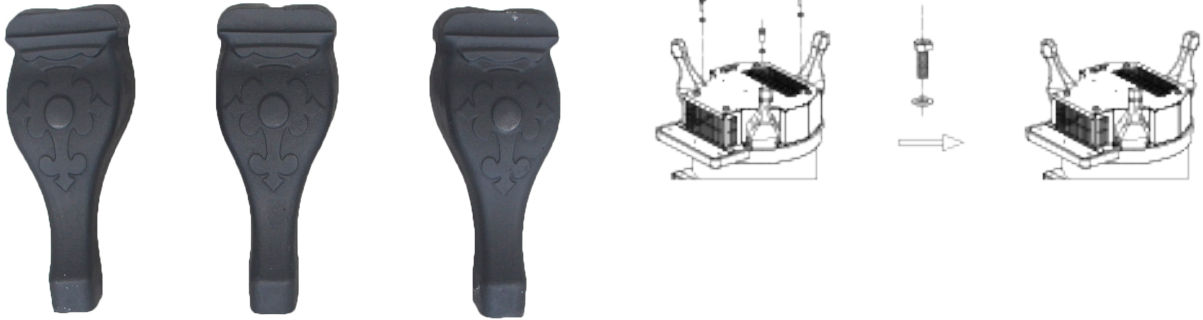
- The simulated wood burning is made of environmentally friendly resin materials, the surface treatment of sheet metal parts is made of high temperature resistant environmentally friendly plastic powder, and the materials used are non-toxic and harmless,and meet the environmental standards.
- The flame is realistic, using coated glass three-dimensional imaging, with a real sense of presence.
- The infrared remote control is used to control each function, and at the same time, the auxiliary sound and light prompt function informs the user of the current working state.
- The stove body is made from cast iron
- Multifunctional combination, the perfect combination of electric ceramic cooking plate and electric fireplace as these functions meet people's needs for life.



Instructions

1. Ready to work

- Unpack the package, take out the top cover, electric ceramic stove, bottom feet and accessories, and fasten the bottom feet to the bottom of the furnace body with the combination screws allotted. See the figure below for the installation method:
- Place the electric fireplace in a safe and suitable location and ensure a distance of more than 30cm from combustible. Plug the power cord into the socket at the bottom of the product to ensure that the power cord is not blocked or crushed.
- Plug the power cord into a wall outlet rated min. 10A. When you hear a beep, it indicates that the electric fireplace is powered on.
- The power input method is shown in the following figure.



2. Remote control function



Turn on / off

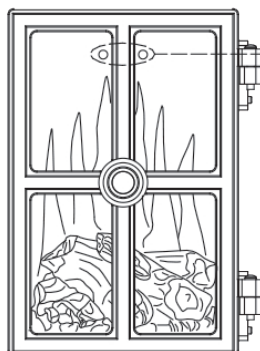
Five levels of brightness adjustment (5-4-3-2-1 cycle in turn).

Low heat / high heat (press low heat once, high heat 2 times, turn off heat 3 times).

Heating status display (press this key, the heating status indicator lights up, and automatically turns off after 3 seconds).

3. Heating functions.

- Low heat: Press the Heater button once, the internal buzzer of the product sounds "beep", the on the flame screen lights up for 3 seconds and then goes out.
- High heat, press the Heater button twice, the product buzzer sounds three "beep", the red light on the flame screen lights up for 3 seconds and then goes out.
- The location of the low heat and high heat indicator lights is shown in the figure below:



Heating indicator

Heating indicator



Low heat (blue light)

High heat (red light)

4. Cooking plate function

- When using the cooking plate, the heat function on the stove will automatically go down to “Low Heat” this to prevent the maximum power greater than 2300w
- The cooking plate has 5 levels of heating the maximum output is 1000w

Note:

Its forbidden to use any other cooking plate than the one provided by Westb.



Maintenance and repair

1. The product cannot be turned on normally.

- Check whether the power input socket and the power plug are firmly connected to make sure there is power on the socket.
- The electric fireplace is controlled by an infrared remote control. Please check whether the remote-control battery is ok, Battery CR2025

2. The product cannot be turned on normally for heating.

- This electronic fireplace has an overheating protection system. If overheating occurs, the system will turn off the heater. If the heater stops working, please turn off the heater and check whether the air intake and exhaust are blocked.
- Unplug the heater, wait for the heater to cool completely, plug in the power to reset the system, and then try to turn on the electric

Packing list

- Electric fireplace 1 PCS
- Electric ceramic heaters 1 PCS
- Remote control 1 PCS
- Instruction 1 PCS
- Power cable 1 PCS

Guarantee card



Westbo of Sweden

GUARANTEE CARD

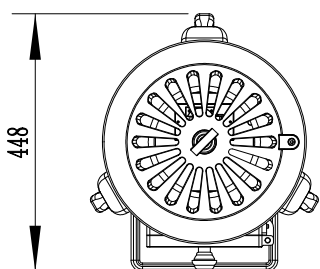
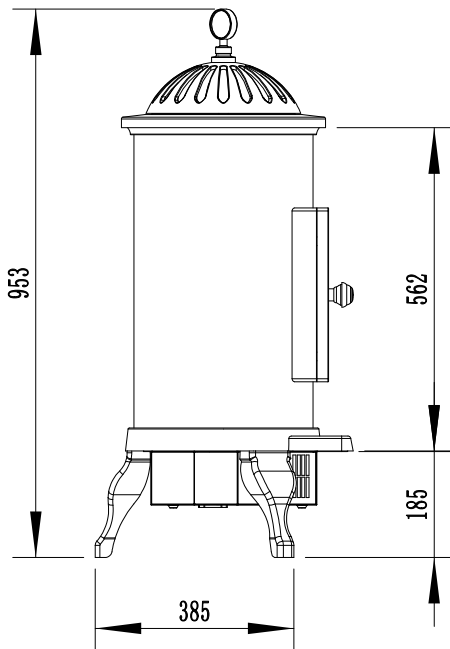
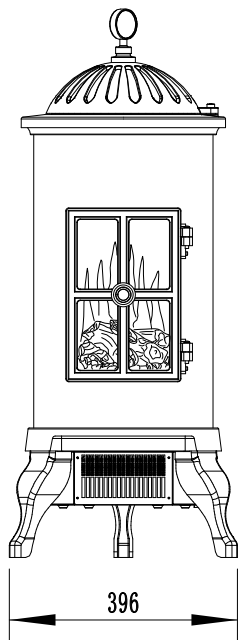
The product conforms to the technical standards

Inspector: _____

Warranty

The warranty is valid in one year after the purchase. Please provide receipt with purchase date.

Outline dimensional





Westbo of Sweden AB
Industrigatan 8
S-333 75 Reftele, Sweden
Tel +46 (0)371-20101
info@westbo.net
www.westbo.net