



Installation, Precautions & Servicing

Glazer

600 900 1000 1500 1800

Luca

450 1500

IMPORTANT

Carefully remove the fire from the packing checking neither the heater nor the power cable has been damaged during transport. Do not operate the fire if damaged. Please bear in mind the weight of the fire before removal from the packaging and installation. Consider if help is required. Always read this manual first before attempting to install or use and keep in a safe place. Any alteration to the power cable should only be done by a qualified electrician.

Your fire is guaranteed for two years from the date of purchase. In the unlikely event of a breakdown you have access to our customer services team, simply call **01543 251122** during office hours, 9am – 5pm or e-mail on info@flameritefires.com The accessories are found in a box that is packed at the side of the fire.

This product is only suitable for well insulated spaces or occasional use

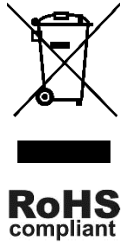


Important Safety Information and Warnings

- **WARNING:** In order to avoid overheating, do not cover the heater.
- For indoor use only.
- Do not use the fire in the vicinity of a bath, shower or swimming pool.
- Never use the fire to dry laundry.
- The heater must not be located immediately below a socket outlet.
- The use of an extension lead is not recommended.
- This appliance can be used by children aged from 8 years and above and persons with reduced physical, sensory or mental capabilities or lack of experience and knowledge if they have been given supervision or instruction concerning use of the appliance in a safe way and understand the hazards involved. Children shall not play with the appliance. Cleaning and user maintenance shall not be made by children without supervision.
- Children of less than 3 years should be kept away unless continuously supervised
- Children aged from 3 years and less than 8 years shall only switch on/off the appliance provided that it has been placed or installed in its intended normal operating position and they have been given supervision or instruction concerning use of the appliance in a safe way and understand the hazards involved.
- Children aged from 3 years and less than 8 years shall not plug in, regulate and clean the appliance or perform user maintenance.
- Some parts of this product can become very hot and cause burns. Particular attention must be given where children and vulnerable people are present
- Caution should be applied to ensure that children do not play with the fuel effects.
- As with any electrical appliance whilst the instructions aim to cover as many eventualities as possible, caution and common sense should be applied when operating your appliance, particularly in the vicinity of small children.
- **CAUTION:** The heater is fitted with an automatic cut out to prevent any damage due to overheating. The element will continually and automatically cut out if the airflow is obstructed. **Never** cover the air outlets. To reset, switch the fire off, disconnect from the mains supply, remove the cause of the overheating. Allow to cool for a suitable period then switch the fire back on.
- **CAUTION:** In order to avoid a hazard due to inadvertent resetting of the thermal cut out, the appliance must not be supplied through an external switching device, such as a timer, or connected to a circuit regularly switched on and off by a utility.

Where a chimney is not blocked off completely, any draw will cause the heater to cut out during use. Care should also be taken when fitting into a cavity wall in case of damp or draft with external air vents fully sealed

RECYCLING



Please recycle responsibly. Take your item to your local recycling centre. You can easily locate your nearest centre on the www.recyclenow.com website or check with your retailer for details on either a collection service or a store take-back scheme (some may apply charges). Councils may offer a household recycling collection service for small electrical items; contact your local authority for more details.

Electrical Connections

Electrical connections. Your appliance comes fitted with a plug that incorporates a 13A fuse. The replacement fuses must be 13A and ASTA approved. If the fuse cover is lost the plug must not be used until a replacement cover, of the same colour, is obtained from an electrical retailer. The appliance is fitted with a moulded plug if it is necessary cut off the plug, for any reason, it must be discarded immediately with the fuse removed. Under no circumstances should any attempt be made to reuse the plug, do not insert into any 13A socket as this could cause a hazard. If the mains cable is damaged it must be replaced by the manufacturer or an authorised technical service centre.

WARNING THIS APPLIANCE MUST BE EARTHED

IMPORTANT

The wires in the mains lead are coloured in accordance with the following code.

Green and yellow:	EARTH
Blue:	NEUTRAL
Red:	LIVE

As the colours of the wires in the mains lead of this appliance may not correspond with the colour markings in your plug proceed as follows: -

- The wire which is coloured green and yellow must be connected to the terminal in the plug which is marked with the letter E, or coloured green or coloured green and yellow, or marked with the earth symbol
- The wire which is coloured blue must be connected to the terminal in the plug which is marked with the letter N, or coloured black.
- The wire which is coloured brown must be connected to the terminal in the plug which is marked with the letter L, or coloured red.

Insert the plug tightly into its IEC connector underneath the fire if not already done so. If the removal of the plug is absolutely necessary for installation, cut off in an area within 100mm only of the plug itself. Any further will affect your warranty.

Installation Instructions

DO NOT TWIST, FORCE OR SQUEEZE THE FIRE DURING THE INSTALLATION PROCESS.

There must be enough clearance for the fire to comfortably fit inside or against a wall. **DO NOT SQUEEZE INTO AN OPENING** as this may deform the case and stop the glass from moving correctly.

The height at which you may wish to fix the fire in or on the wall is up to you, we recommend anywhere from 350-450mm from the floor to the bottom of the fire opening (not the bottom of the fire).

The fire must be well supported in or on any structure. A wall support or lintel should be fitted at the required height to ensure the appliance does not support the weight of the finished wall or chimney breast. Never secure to just plater board alone.

Minimum opening to fit and inset the fire

Model	H	W1side	W2side	W3side	D
600	725mm	645mm	625mm	610mm	265mm
900	505mm	945mm	925mm	910mm	265mm
1000	575mm	1045mm	1025mm	1010mm	265mm
1500	575mm	1545mm	1525mm	1510mm	265mm
1800	575mm	1845mm	1825mm	1810mm	265mm

Visible burn area after fitting

Model	H	W1side	W2side	W3side	D2/3 side
600	500mm	645mm	625mm	600mm	180mm
900	280mm	945mm	925mm	900mm	180mm
1000	350mm	1045mm	1025mm	1000mm	180mm
1500	350mm	1545mm	1525mm	1500mm	180mm
1800	350mm	1845mm	1825mm	1800mm	180mm

1 side

2 side

3 side

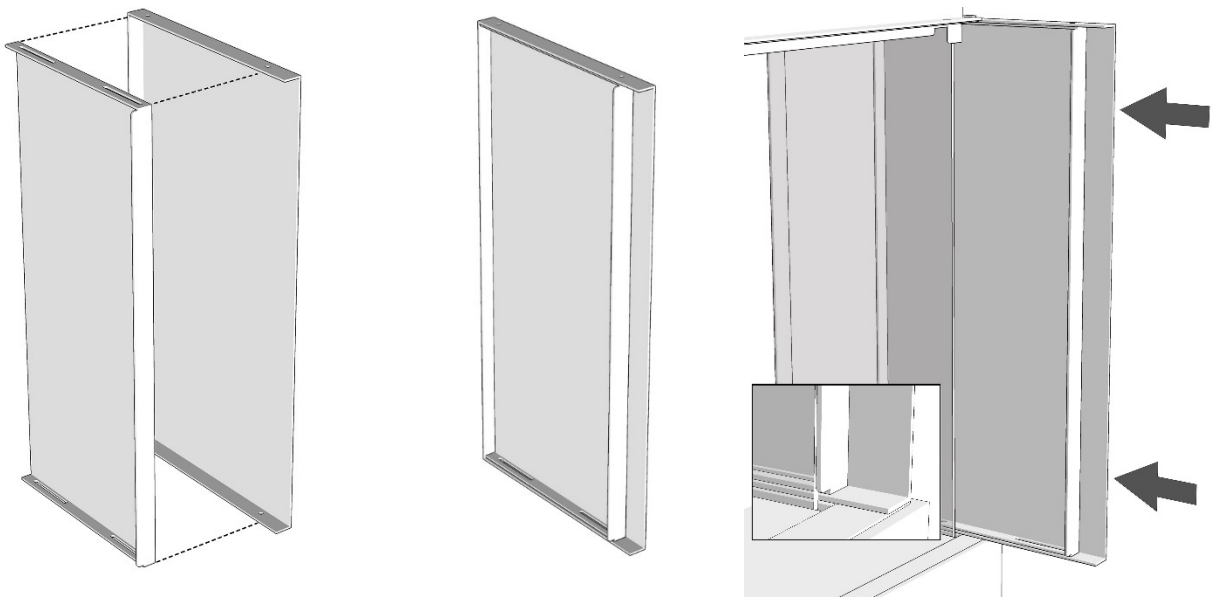


1. Luca 450 freestanding (with or with out log box) or in the Luca 450 Suite

Move and position to your required location. If fitting the optional flue pipe, this is simply placed on top and against the wall. If fitting in the Luca 450 Suite, you will need to remove the base to replace and connect the Y-mains cable to the stove and the white cable to the suite (**section 5**). Go to and add **Fuel Effects**.

2. Glazer Side panels for 1 or 2-sided fitting

If you have purchased the Glazer fire only and not part of a Flamerite Fireplace Suite, it will come with the blanking panels attached. These allow the Glazer to convert from a 1 sided, into a 2 or 3-sided fire. The blanking panels consist of two parts each and are fitted directly over the side glass. If one or both are not required, remove the 4 screws and remove the panel(s). If you need to fit the blanking panel(s) following the instructions and images below.



- Place together as though you have formed a tray with an edge/return on each of the four sides
- Slide onto the fire so the forward edge/return of the inner panel touches the glass panel edge.
- Fix using the four screws, two on the top and bottom but make sure the inner panel and the glass have free movement to slide forwards and backwards.

3. Glazer & Luca fitting onto a wall or into a structure

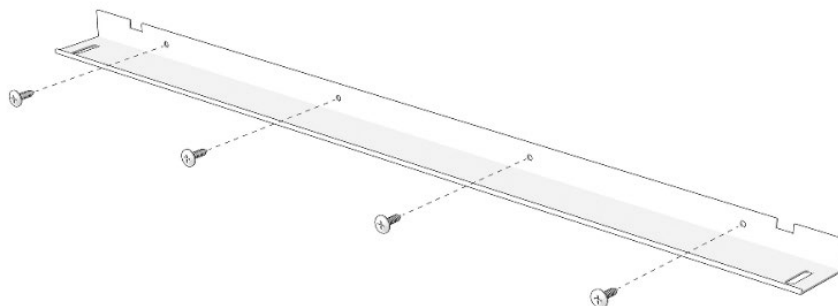
(Luca 450, go to section 5 for instruction on how to remove and reattach top and base before commencing this instruction).

Take the following steps securing your fire firmly into position and onto a wall. Both top and bottom fixing brackets come already attached to the fire. The bottom bracket will have to be removed to begin the process.

a. Bottom Bracket

Fixings	450	600	900	1000	1500	1800
60mm screws	2	3	4	4	4	4
M10 rawl plugs	2	3	4	4	4	4
M6 bolts	2	2	2	2	2	2
M6 washers	2	2	2	2	2	2

Remove the M6 bolts and washers (remove the bottom bracket only). Mark up and drill the holes with an M10 bit and fit the rawl plugs. Using the 60mm screws, secure the bracket to the wall.

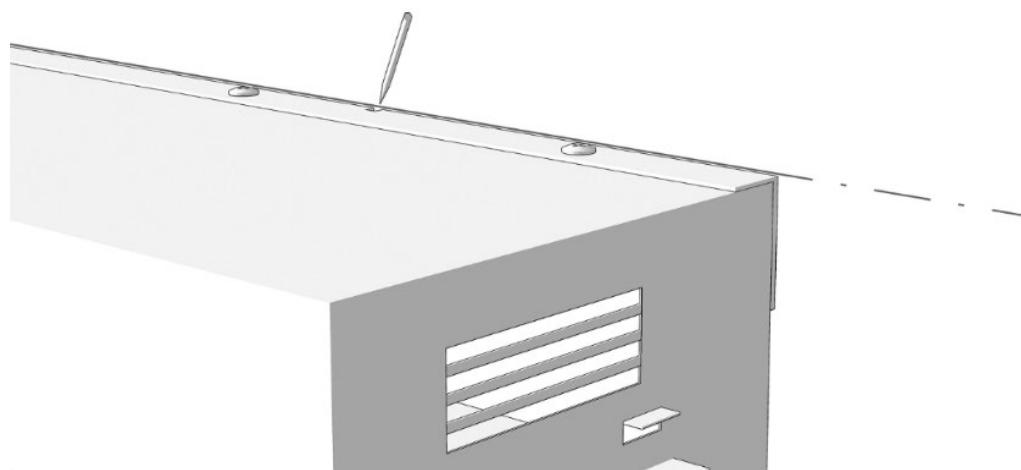


b. Top Bracket

Fixings	450	600	900	1000	1500	1800
60mm screws	2	3	3	3	3	4
M10 rawl plugs	2	3	3	3	3	4
13mm screws	2	3	4	4	4	4

A second person maybe required. For now, leave the top bracket attached.

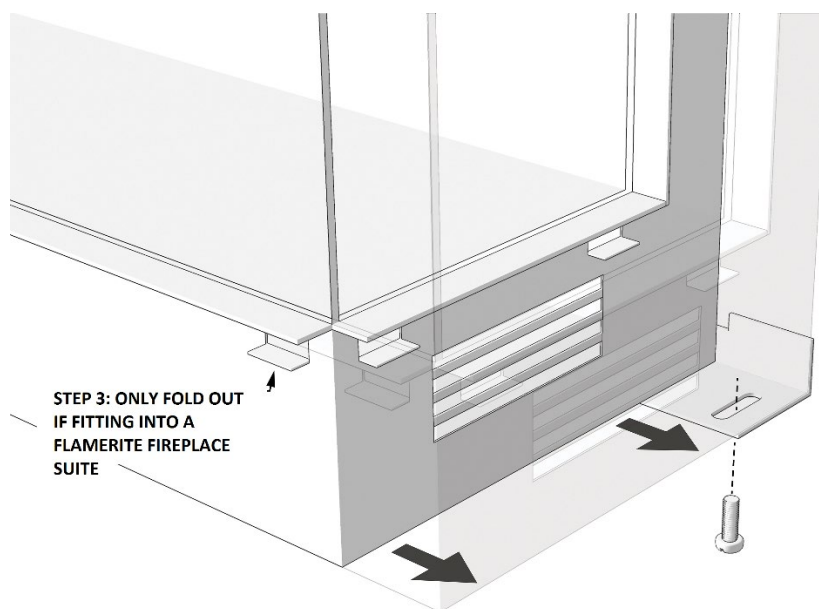
Place and hold the fire on the bottom bracket and refit the M6 bolts and washers through the slots back into the fire. Keeping the fire firmly pushed against the wall, mark across the length of the top bracket and into the slots above each hole. Once again remove the M6 bolt and washers and place the fire onto the floor.



Remove the 13mm screws and top bracket from the fire. Using it as a template mark the fixing holes on the wall, drill the holes with an M10 bit and fit the rawl plugs. Using the 60mm screws fix the bracket to the wall.

c. Secure the fire onto the brackets

Place and hold the fire on the bottom bracket and screw the top bracket back onto the fire with the 13mm self-tappers. At this point you will be able to level the fire accordingly when refitting the M6 bolts and washers through the slots of the bottom bracket and back into the fire.

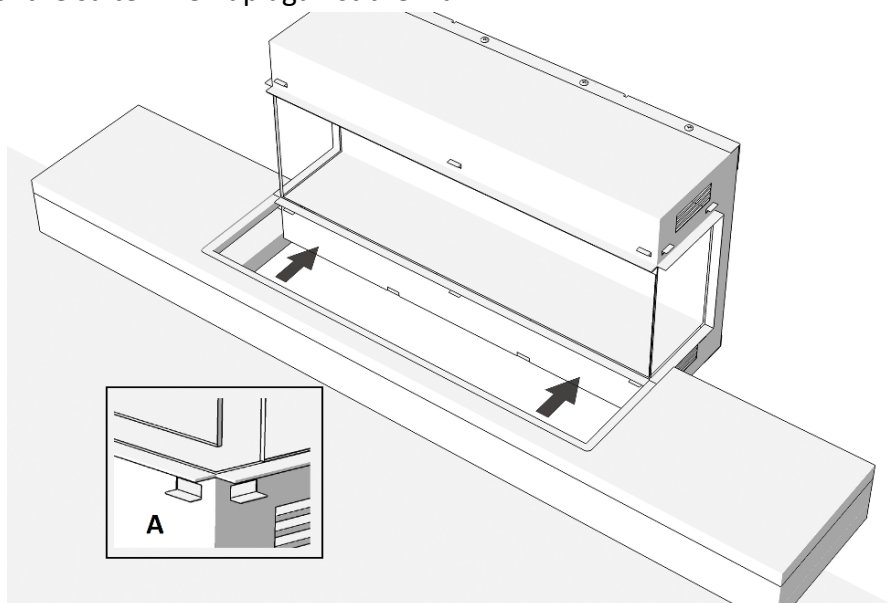


Your fire is now secure, make sure the mains cable is tightly fitted.

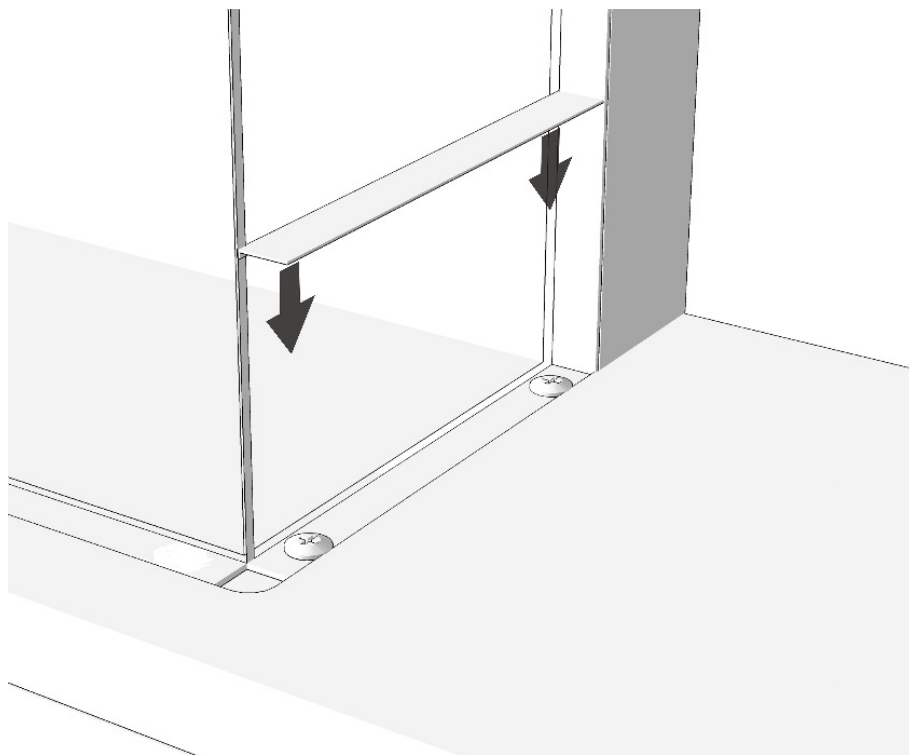
4. Glazer fitting a Flamerite fireplace suite

Modular wall & freestanding	8x 13mm screws. 4 top and 4 bottom
Modular chimney breast	3x M10 x 50mm Rawl plugs. 3x 60mm screws 2x 50mm screws & cover caps. 4x 13m screws.

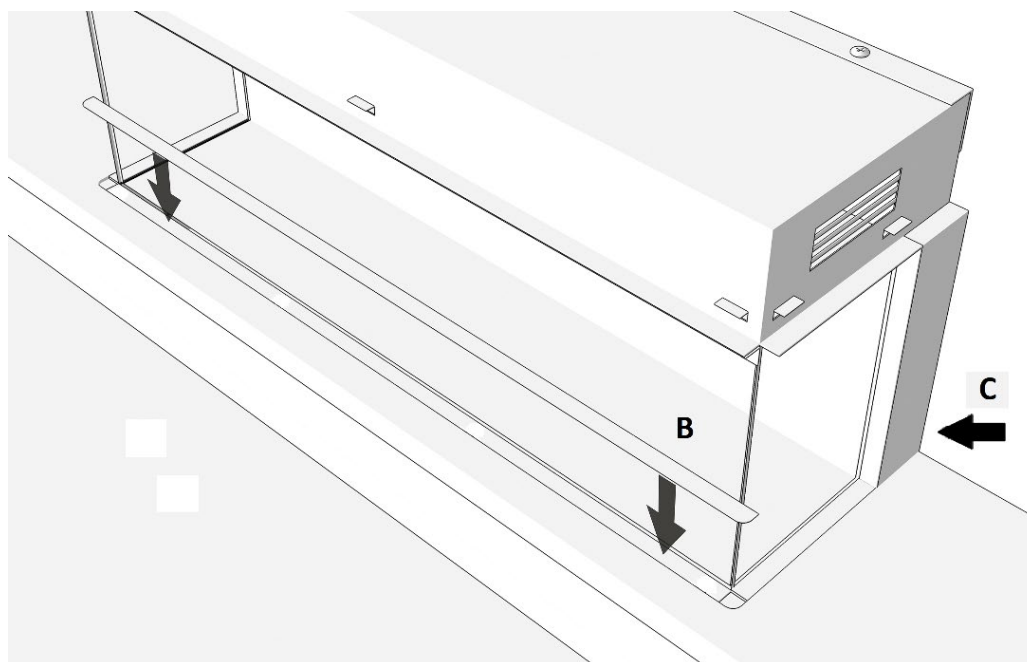
- a. When the fire is mounted to the wall, the base will slide on from the front between the flange running around the opening and the pull-out tabs **A**. Make sure the power cable is firmly pushed into the fire and does not foul the suite when up against the wall.



- b. Using four of the 13mm screws secure the base to the fire along the side flange and fit the décor trim **B**. The décor trim is the long black channel that provides a neat edge along the bottom of the fire opening, it is held in place with magnets.

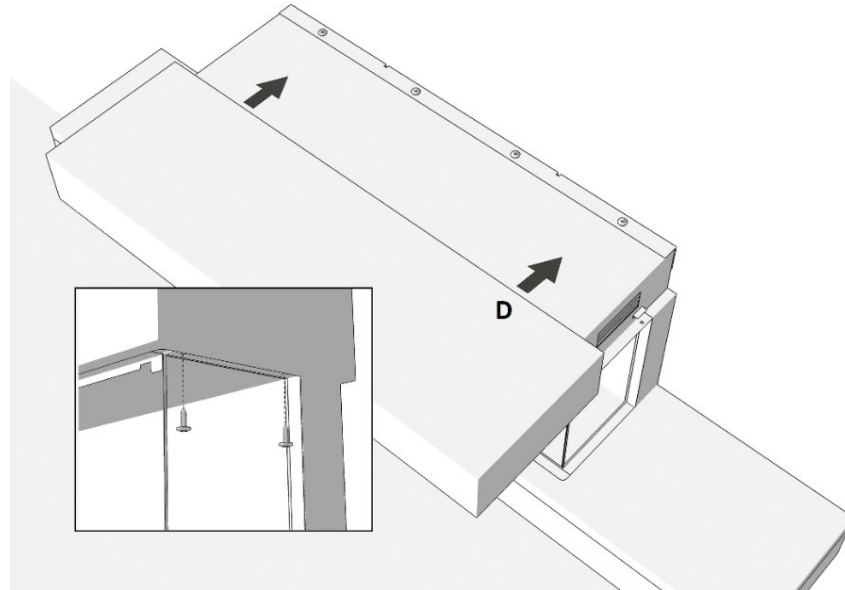


- c. Fix the gloss black decorative panels either side of the opening to the fire **C**, also held in place with magnets.



d. If fitting a full chimney breast go to next step e.

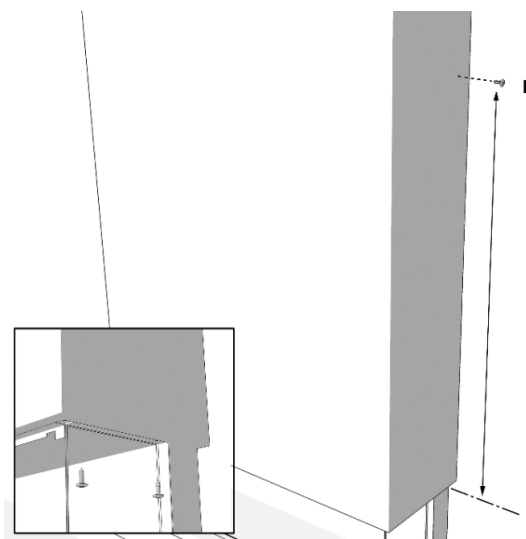
Slide the top from the front **D** between the flange running around the opening and the pull-out tabs. Make sure the top of each gloss black decorative panel **C** fits into the recess around the cut out as the top pushes back towards the wall. On the underside using four of the 13mm self-tappers provided, secure the sides of the top only.



- e. The chimney breast requires a baton to be fitted to the wall above the fire using three M10 x 50mm rawl plugs and 60mm screws. Use an M10 bit to drill the holes. The baton must be fitted from the top of the fire to the bottom of the baton, dead centre so the chimney breast can comfortably slide over the fire and line up to the pilot holes either side of the baton.

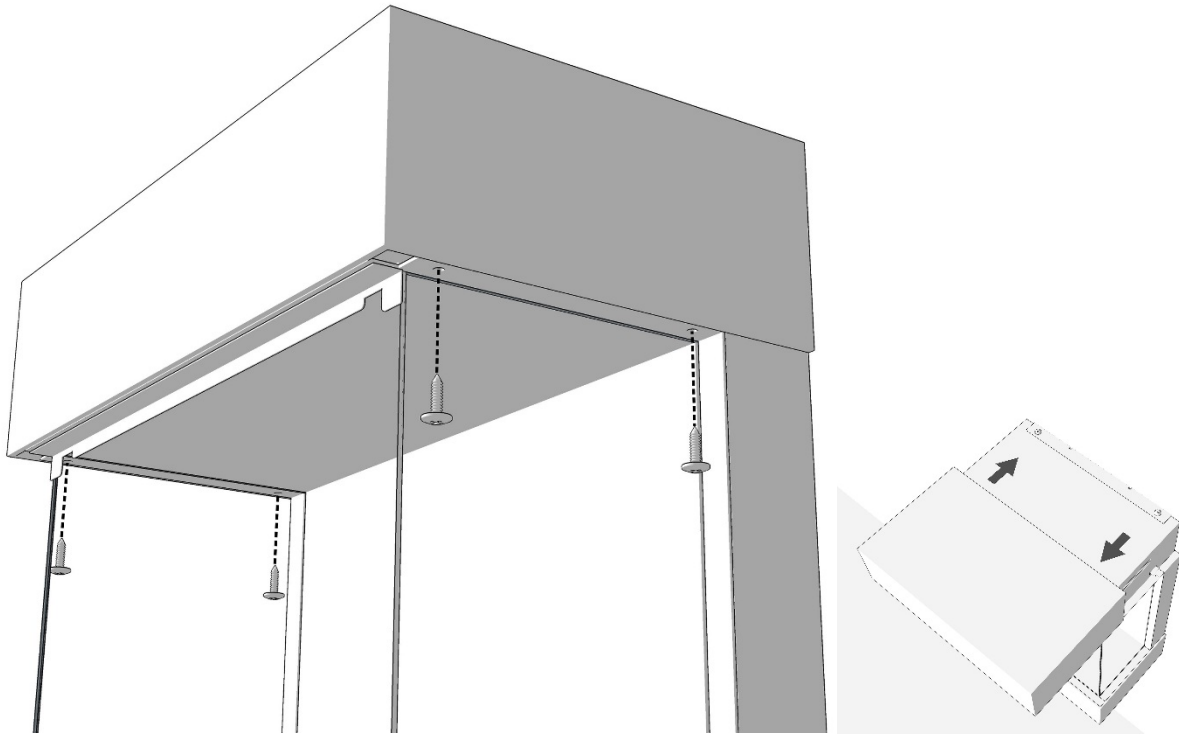
Height from the top of the fire: $600 = 885\text{mm}/900 = 1110\text{mm}/1000 = 1040\text{mm}$

Carefully slide the chimney breast on from the front **D** between the flange running around the opening and the pull-out tabs. Make sure the top of each gloss black decorative panel **C** fit into the recess around the cut out as the chimney breast pushes back towards the wall. Use the two 50mm screws to secure the chimney breast to the baton **F** and push the white plastic covers over the top. On the underside use four 13mm screws provided, secure the sides only.

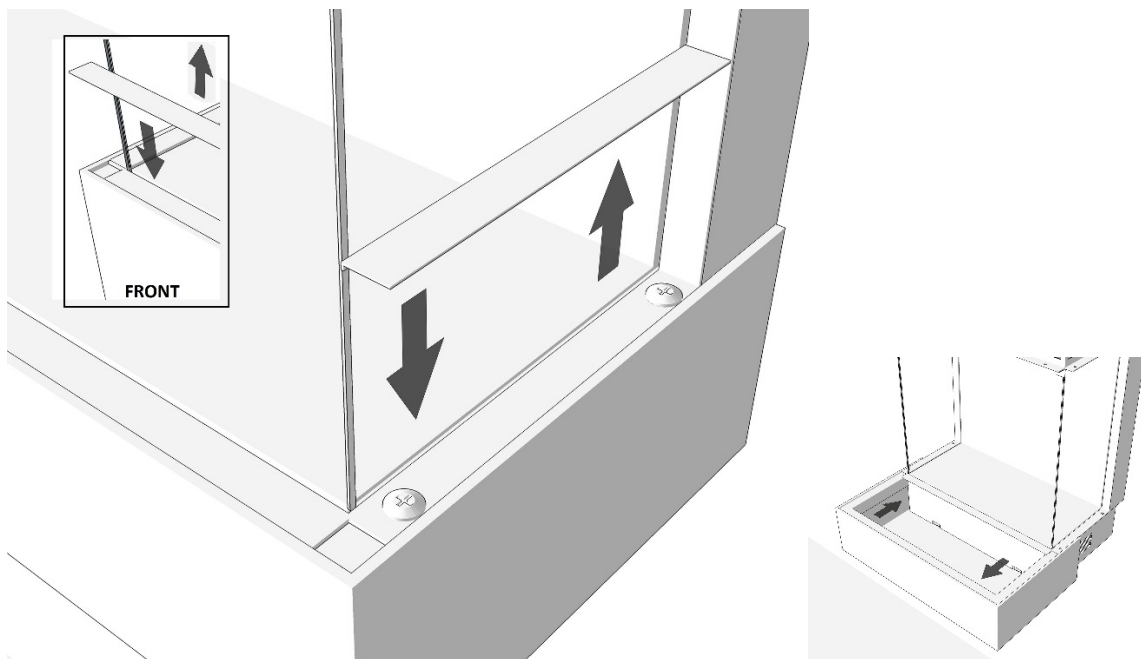


DO NOT HANG HEAVY OBJECTS ONTO THE CHIMNEY BREAST

- 5. Luca top and base, remove and replace when wall mounted or used in the 450 suite.**
(Illustrations in this instance show the 450, the same principal should be applied to the 1500)



- Remove the four screws and slide the top forward.



- Remove the two side and front dresser rails, they are held on with magnets.
- Remove the four screws and slide the top forward.

Fuel Effects

The fuel effects must be positioned as in the images below.

Care must be taken to ensure the channel at the front of the fire is not obstructed. Anything dropped into it, must be removed before installing the front glass panel.

Visit www.flameritefires.com/product-support/instructions-fuel-effects.html if you require clearer downloadable images.

Radia Flame Log Bed

For the best possible log burn, place only a thin amount of the grey chippings around the perimeter on the fuel bed.



Nitra Flame Log Bed

Using the three bags of clear glass chippings, lightly fill the inside of the fuel bed, leaving clear only a small area around the perimeter



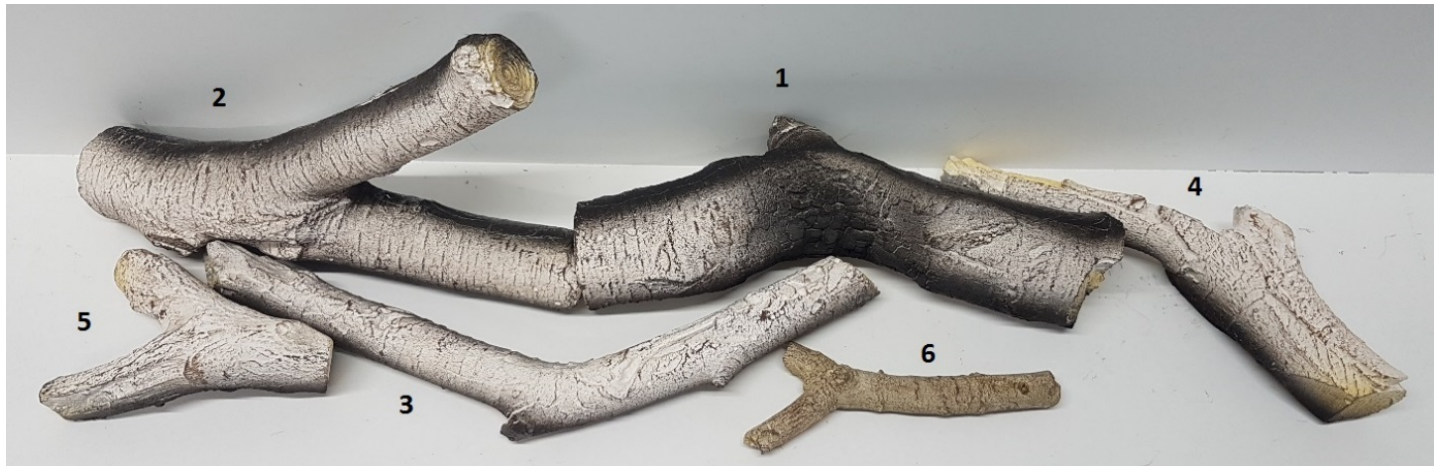
For the best possible log burn, place only a thin amount of the grey and black chippings around the perimeter on the fuel bed.



450

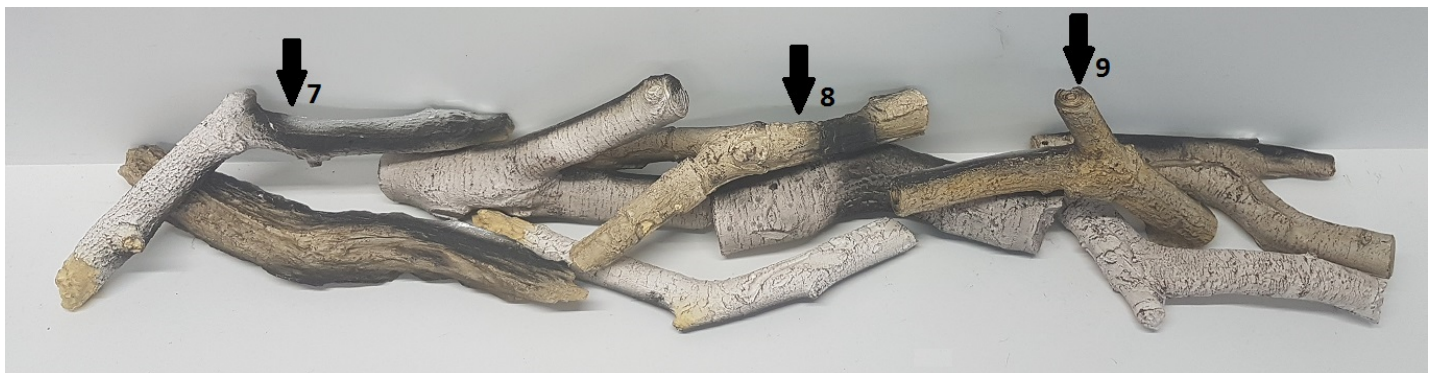
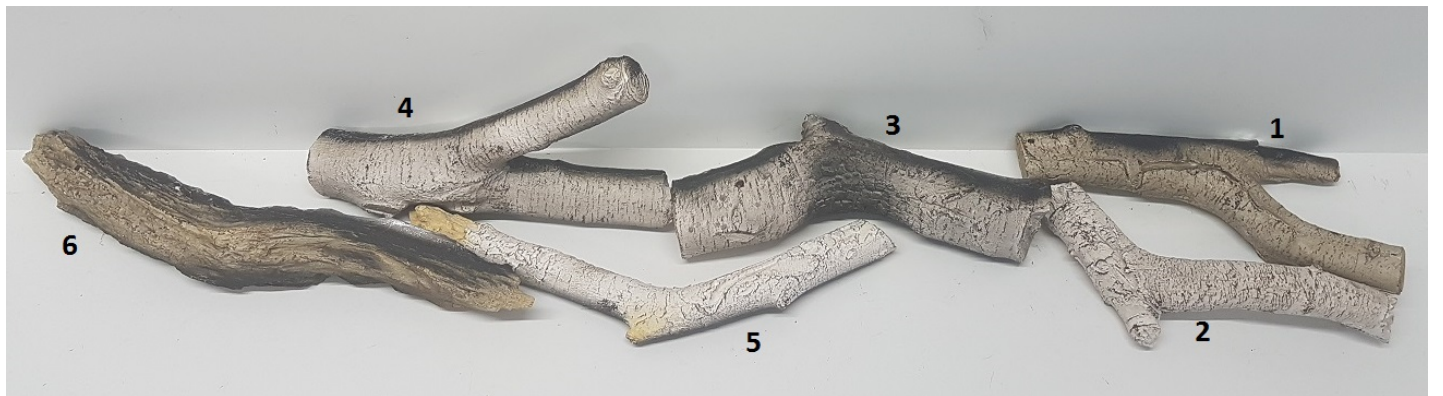


600





900 & 1000 Standard Cinderwood



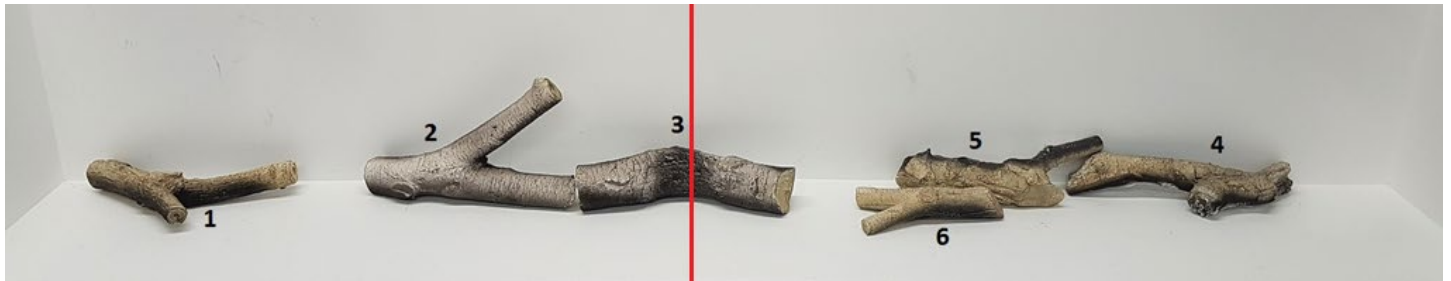


1000 Large Cinderwood



1500 & 1800 Standard Cinderwood

The **red line** in the first image, is the centre of the fire. Leave approximately 150mm either end of logs 15 & 18 to allow the **1800** logs 19 to 25 to be fitted at either end.





1500 Large Cinderwood



1800 Large Cinderwood

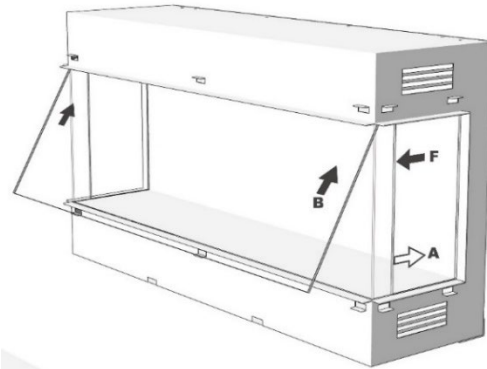


Glass Fitting & Removal

We recommend two persons to fit the Glazer 1500 & 1800 glass

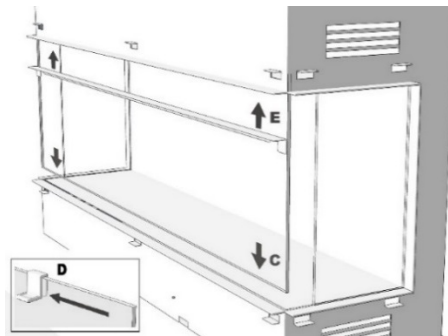
Push the side glass back towards the rear of the case **A**

You will notice there is a long gap on the underside of the opening 10mm in width that runs along and in front of the heater grills. At an angle of approximately 45 degrees push the glass up into this void making sure the bottom of the glass clears the lower edge of the opening. Tilt the glass back into the fire and carefully lower into the large channel that runs across the opening avoiding the dampers **B & C**

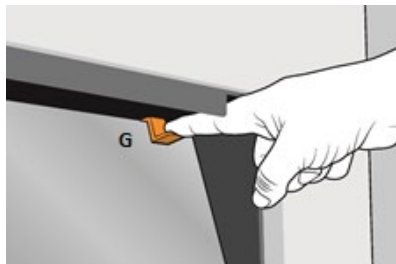


Slide the handle **D** along the top right-hand side of the glass.

The upper glass rail is magnetic and will fix easily into place along the top of the opening **E**. Adjust the position of the handle accordingly into the gap on the rail.



With the front glass tilted rearwards pull the side glass side forwards **F**. To open and close the front glass panel, place your index finger on the handle as shown in the picture **G**. You may finely position the front and side glass panels to give the best possible fit and finish. Make sure the front glass glides back with ease and depresses the micro switch arm on the underside of the heat housing.



Maintenance

WARNING: Before any maintenance/cleaning is undertaken, always disconnect the fire from the mains power supply.

Replacing *Radia Flame* LED Lamps

Dimmable 240V 6W 3000k E14 LED lamps

We recommend lamp replacement by a Flamerite service engineer or similarly qualified persons in order to avoid a hazard. Allow a suitable time for the lamps to cool then remove the glass & fuel effect (see Installation). Remove the two screws from either side of the fuel bed and lift out of place. Remove and replace the lamps, fuel bed, fuel effect and glass. Please note that replacement lamps are covered by a 2-year warranty. Replacements are available from Flamerite Fires Ltd

Replacing *Nitra Flame* LED Strips

LED Strips and driver replacement must be undertaken by a Flamerite service engineer or similarly qualified persons in order to avoid a hazard. Please note that replacement lighting is covered by a 2-year warranty.

Replacements are available from Flamerite Fires Ltd

Cleaning

The fire can be cleaned with a soft cloth and non-abrasive glass cleaner.

Trouble Shooting

- **No power to the fire:** Check the wall socket, plug, fuse and dimmer.
- **Heat turns off quickly after turn on:** Set thermostat to a higher temperature.
- **No illumination:** Make sure fire is turned on. Check heater is working, if so check dimmer.
- **Heater blowing cold air:** The safety cut out may have operated. Check for obstruction around the heater. If continually a problem and fitted into a cavity wall or chimney breast check with installer the inset opening has been 100% fully sealed from drawn air and draft.
- **Noise when illuminated:** Due to moving parts, the electric fire will make a noise.
- **Noise from the heater when in use:** The sound of rushing air is normal.

Information Requirements

Information requirement for electric local space heaters

Radia Flame

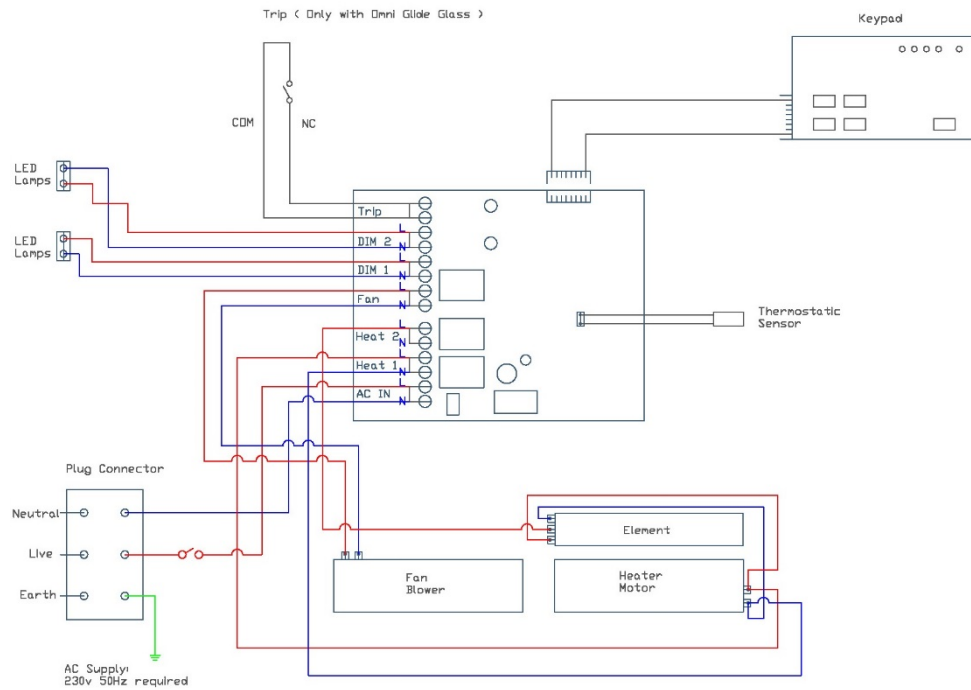
Model identifier (s)		450	600	900	1000	1500	1800	
<i>Item@ 240v 50Hz</i>	<i>Symbol</i>	<i>Value</i>	<i>Value</i>	<i>Value</i>	<i>Value</i>	<i>Value</i>	<i>Value</i>	<i>Unit</i>
Heat output								
Nominal heat output	Pnom	1.5	1.5	1.5	1.5	1.5	1.5	kW
Minimum heat output (indicative)	Pmin	0.75	0.75	0.75	0.75	0.75	0.75	kW
Maximum continuous heat output	Pmax,c	1.5	1.5	1.5	1.5	1.5	1.5	kW
Auxiliary electricity consumption								
At nominal heat	elmax	0.038	0.033	0.051	0.051	0.063	0.082	kW
At minimum heat	elmin	0.038	0.033	0.051	0.051	0.063	0.082	kW
In stand by	eISB	0.0005	0.0005	0.0005	0.0005	0.0005	0.005	kW
Type of heat output/room temperature control								
With distance control option								
Room temperature control, with open window detection								Yes
Adaptive Start								Yes
With electronic room temperature control plus week timer								Yes
Contact details:	Flamerite Fires Ltd. Greenhough Road, Lichfield. Staffs. WS13 7AU							

Nitra Flame

Model identifier (s)		450	600	900	1000	1500	1800	
<i>Item@ 240v 50Hz</i>	<i>Symbol</i>	<i>Value</i>	<i>Value</i>	<i>Value</i>	<i>Value</i>	<i>Value</i>	<i>Value</i>	<i>Unit</i>
Heat output								
Nominal heat output	Pnom	1.5	1.5	1.5	1.5	1.5	1.5	kW
Minimum heat output (indicative)	Pmin	0.75	0.75	0.75	0.75	0.75	0.75	kW
Maximum continuous heat output	Pmax,c	1.5	1.5	1.5	1.5	1.5	1.5	kW
Auxiliary electricity consumption								
At nominal heat	elmax	0.03	0.027	0.041	0.041	0.051	0.058	kW
At minimum heat	elmin	0.03	0.027	0.041	0.041	0.051	0.058	kW
In stand by	eISB	0.0005	0.0005	0.0005	0.0005	0.0005	0.0005	kW
Type of heat output/room temperature control								
With distance control option								
Room temperature control, with open window detection								Yes
Adaptive Start								Yes
With electronic room temperature control plus week timer								Yes
Contact details:	Flamerite Fires Ltd. Greenhough Road, Lichfield. Staffs. WS13 7U							

Wiring Diagrams

Radia Flame



Nitra Flame

